

The product using material and processing must conform to the "WI-PZ-001"HSF technical standard control requirements

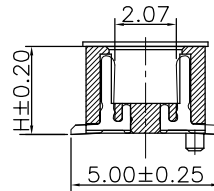
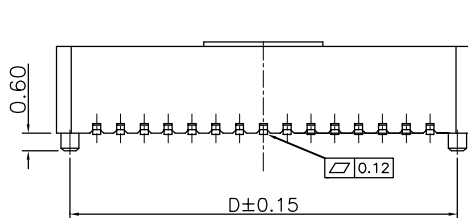
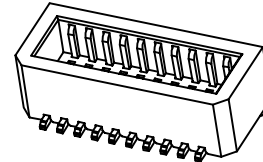
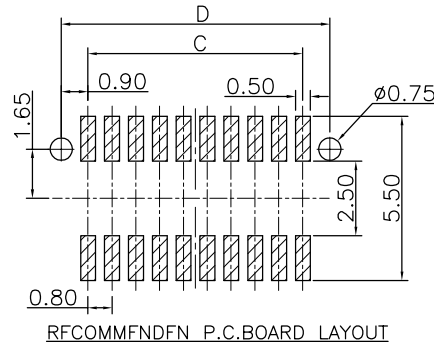
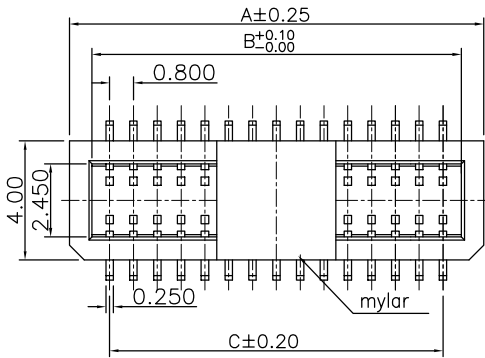
RoHS+HF

NOTE:

- 1.MATERIAL SPECIFICATION:
 - 1-1.HOUSING: PA9T UL94V-0
 - 1-2.CONTACT: PHOSPHOR BRONZE
- 2.PLATING SPECIFICATION:

CONTACT: G/F PLATING OVERALL
- 3.MECHANICAL PERFORMANCE:
 - 3-1.INSERTION FORCE: 0.08KGF/PIN MAX
 - 3-2.REMOVAL FORCE: 0.05KGF/PIN MIN
 - 3-3.MAINTAIN FORCE: 0.03KGF/PIN MIN
 - 3-4.DURABILITY: 30 CYCLES.
- 4.ELECTRICAL PERFORMANCE:
 - 4-1.CURRENT RATING:0.5A
 - 4-2.VOLTAGE RATING:60V MAX
 - 4-3.CONTACT RESISTANCE: 60mΩ Max.
 - 4-4.INSULATION RESISTANCE: 800MΩ MIN
 - 4-5.DIELECTRIC WITHSTANDING VOLTAGE: 500V AC Min
- 5.ENVIRONMENTAL PERFORMANCE:

OPERATING TEMPERATURE: -25°C~+85°C.
- 6.PACKAGE SPEC:REEL
- 7.P/N ORDER:



B0802 XX F 0-2 XX 2 X X 01

SERIES NO: _____

HEIGHT: _____
 29-2.9H
 34-3.4H
 39-3.9H

MALE FEMALE: _____
 F-FEMALE

ANGLE: _____
 0-180°

ROW NO: _____
 2-DOUBLE ROW

COLOR:
 S-NATURE
 A-BLACK
 K-WHITE

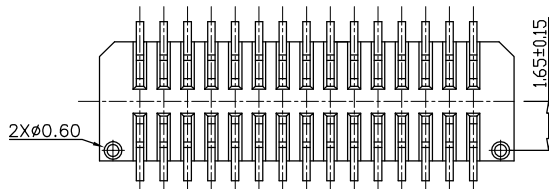
PLATING:
 A-ALL AU G/F
 1-G/F
 C-BRIGHE TIN

TERMPIPOINT:
 2-SMT

PIN Q'PY:
 08~50

Circuits	Dimensions(mm)				
	排列	A	B	C	D
8	2*4	5.10	3.60	2.40	4.20
10	2*5	5.90	4.40	3.20	5.00
12	2*6	6.70	5.20	4.00	5.80
14	2*7	7.50	6.00	4.80	6.60
16	2*8	8.30	6.80	5.60	7.40
18	2*9	9.10	7.60	6.40	8.20
20	2*10	9.90	8.40	7.20	9.00
30	2*15	13.90	12.40	11.20	13.00
40	2*20	17.90	16.40	15.20	17.00
50	2*25	21.90	20.40	19.20	21.00

合高	H
4.00H	2.90
4.50H	
5.00H	
5.50H	3.40
6.00H	
6.50H	
7.00H	3.90



REV.	REVISION RECORD	DATE
A0	NEW RELEASE	21.01.13

GENERAL TOLERANCES	
LINEAR	ANGLES
0.0±0.35	X'REF±6'
0.00±0.25	X'±3'
0.000±0.10	X'X' ±2'

SCALE:	NAME	DATE
1:1	Wang_jr	21.01.13
APPROVED	Han_Gao	21.01.13
DESIGNER	Zijun_Huang	21.01.13

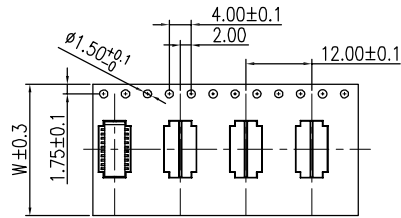
PART.NO:	DWG.NO:
B0802XXF0-2XX2XX01	ENDE05
TITLE: BOARD TO BOARD PITCH0.8 SMT/SOCKET	

万进科技
 WanLian Teconology Co., Ltd

REV: A0 SHEET: 1/2

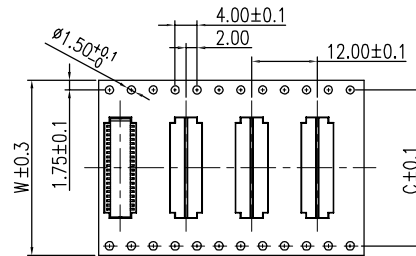
The product using material and processing must conform to the "WI-PZ-001" HSF technical standard control requirements

Tape width 16 and 24 mm



PULL OUT DIRECTION

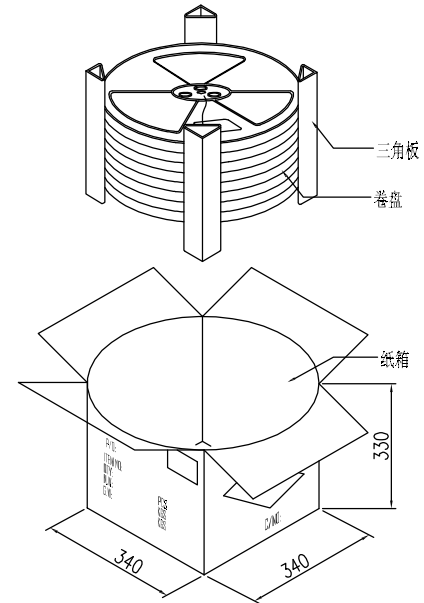
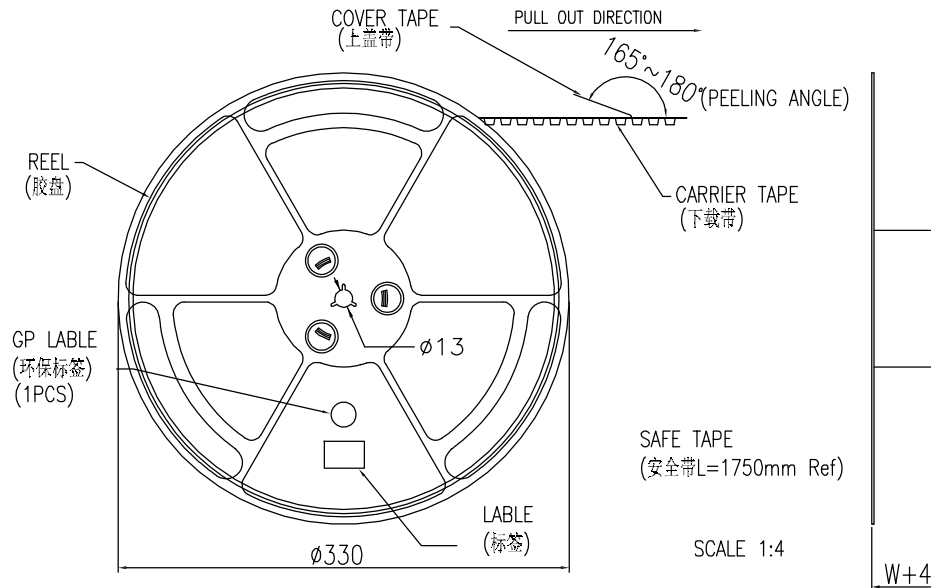
Tape width 32 and 44 mm



PULL OUT DIRECTION

NOTE:

- 1.10 Sprocket hole pitch cumulative tolerance ± 0.20 .
2. Carrier camber is within 1mm in 100mm.
3. Material: black conductive polystyrene alloy.
4. Material Thickness: 0.3 ± 0.05 mm.
5. All dimensions meet EIA-481-B requirements.
6. 5000pcs Pef Reel.
7. For tape width(dim W)16 and 24mm pilot holes are provided on one sides.
For tape width(dim W)32, 44 and 56mm pilot holes are provided on both sides.



Circuit	W	C	PCS /REEL	REEL/CARTON	SUM(PCS)
4PIN~20PIN	16	-	1000	12	12000
21PIN~40PIN	24	-	1000	10	10000
41Pin~50PIN	32	28.4	1000	8	8000
51Pin~60PIN	44	40.4	1000	6	6000

REV.	REVISION RECORD	DATE	GENERAL TOLERANCES		SCALE:	NAME	DATE	PART.NO:	DWG.NO:	 WanLian Teconology Co., Ltd
AO	NEW RELEASE	21.01.13	LINEAR	ANGLES	1:1	Wang_jr	21.01.13	B0802XXF0-2XX2XX01	ENDE05	
			0.0±0.35	X'REF±6'	APPROVED	Han_Gao	21.01.13	TITLE: BOARD TO BOARD PH0.8 SOCKET		REV: A0 SHEET: 2/2
			0.00±0.25	X'±3'	DESIGNER	Zijun_Huang	21.01.13			
			UNIT:mm	0.000±0.10	X'X' ±2'	DRAWN				